

SCHAEFER



MT 42 | MA 42

Pushbuttons & Indicators | Boutons & Voyants | Pulsadores & Indicadores

- Studless fixing (clip fixing)
- Perfect for Homelift-Application
- Multi-Volt LEDs
- Bicolor available
- Faceplate thickness: 0.079 - 0.118"/2 - 3 mm
- Surrounding air temperature: +55 °C/ +131 °F

SCHAEFER Elevator Components Inc.

#110 - 19347 24 Ave | Surrey, BC, V3Z 3S9 | Canada

na.info@ws-schaefer.com | na.ws-schaefer.com



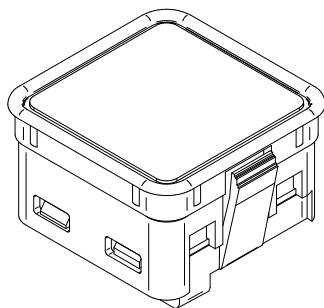
Type			Style	Form	Suffix/ Connection						
Type			Style	Form	Suffix	Switch	Voltage	Current	Terminal blocks		
									AWG	Wire type	Torque [Lb. In.]
MT	Micro Pushbutton		42	n/a	IX NA	SPST-NO	6 - 30 V DC	2 A	28 - 14	Cu	2.25
							48 V DC	0.7 A			
					IX bicolor	SPST-NO	0.02 - 30V AC	0.05 A	22 - 18	Cu	3
							0.02 - 30V DC				
MA	Micro Indicator				2M XI	SPST-NO	30 V DC	0.5 A	22 - 18	Cu	3
							SPDT	30 V DC			

MT 42 IX NA
 10 - 01 - 00 - 10 30 - 48 V

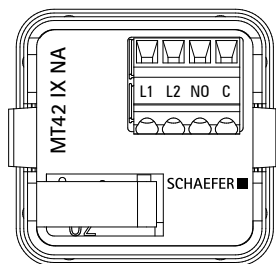
Housing		Touchplate/Plate		Protection	LED Color	LED Voltage/LED Current/Power	
10	#8 Stainless steel, mirrored	00	without	n/a	unicolor	IX NA	
11	#8 Stainless steel, TiN (brass color), mirrored	01	Stainless steel, non-directional		10	6 V DC	40 mA
12	#8 Stainless steel, black color, mirrored	02	Stainless steel, TiN (brass color), non-directional		20	12 - 48 V DC	0.5 W
13	#8 Stainless steel, bronze color, mirrored	03	#8 Stainless steel, black color, mirrored		30	30 - 48 V AC	
		04	#8 Stainless steel, mirrored		40	IX bicolor	
		05	#8 Stainless steel, TiN (brass color), mirrored		50	12 - 30 V DC	45 mA
		08	Aluminum, black color		bicolor		
		20	Plastic, clear		13	30 - 48 V DC	45 mA
					31	2M XI	
					23	6 V AC/DC	40 mA
					25	12 V AC/DC	40 mA
					42	30 V AC/DC	40 mA

MT 42 IX NA

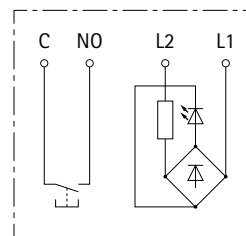
3D View | Vue 3D | Vista 3D



Rear view | Vue de derrière | Vista posterior

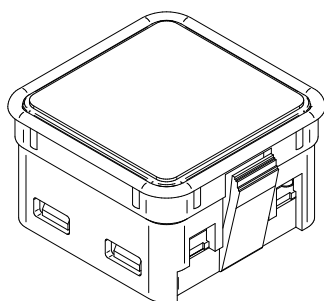


Wiring diagram | Schéma de connexion | Esquema de conexión

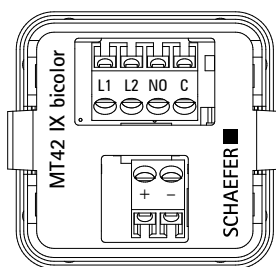


MT 42 IX bicolor

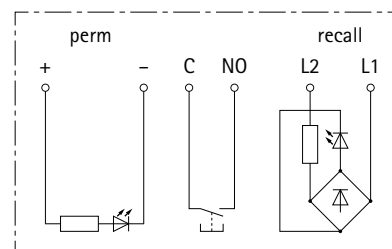
3D View | Vue 3D | Vista 3D



Rear view | Vue de derrière | Vista posterior



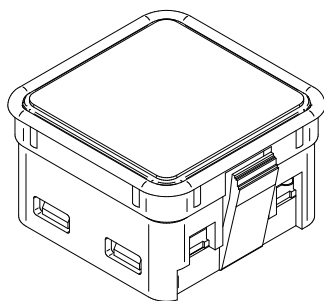
Wiring diagram | Schéma de connexion | Esquema de conexión



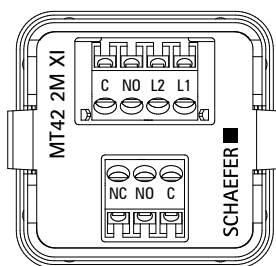
* Recall only in combination with + and -

MT 42 2M XI

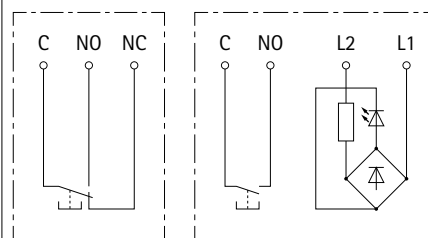
3D View | Vue 3D | Vista 3D



Rear view | Vue de derrière | Vista posterior

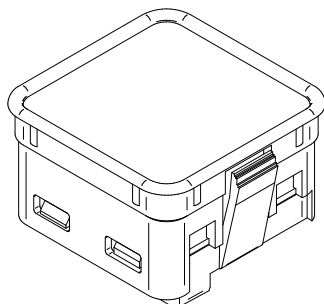


Wiring diagram | Schéma de connexion | Esquema de conexión

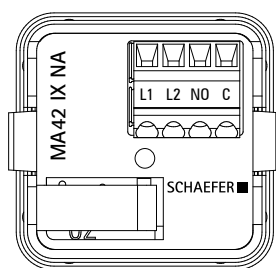


MA 42 IX NA

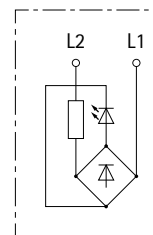
3D View | Vue 3D | Vista 3D



Rear view | Vue de derrière | Vista posterior



Wiring diagram | Schéma de connexion | Esquema de conexión

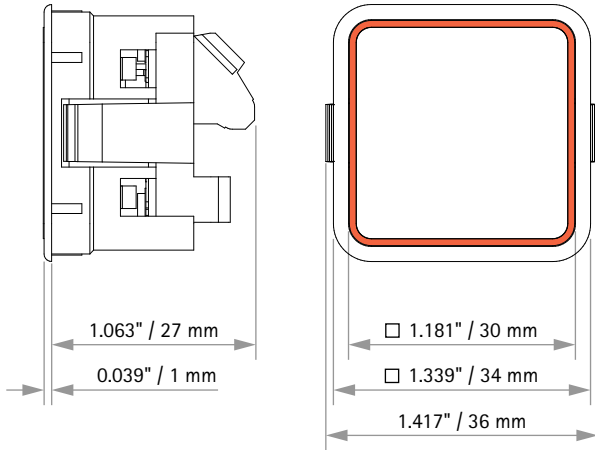


Dimensions | Dimensions | Dimensiones

MT 42 IX NA

Side view | Vue de côté | Vista lateral

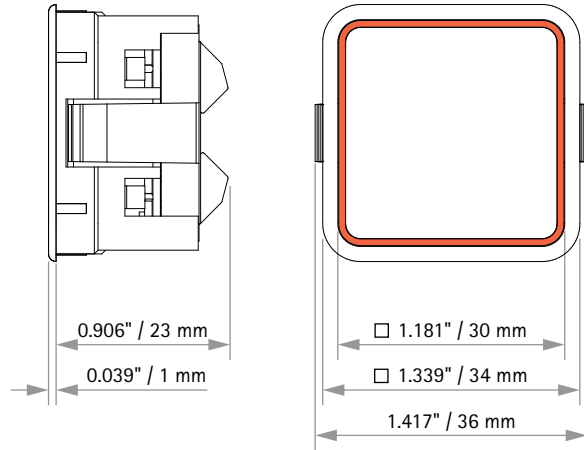
Front view | Vue frontale | Vista frontal



MT 42 IX bicolor

Side view | Vue de côté | Vista lateral

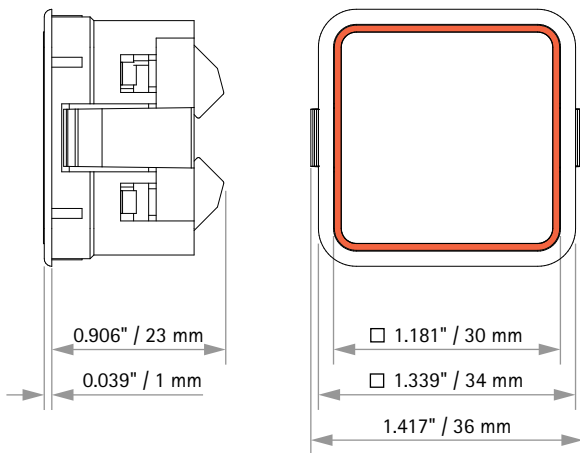
Front view | Vue frontale | Vista frontal



MT 42 2M XI

Side view | Vue de côté | Vista lateral

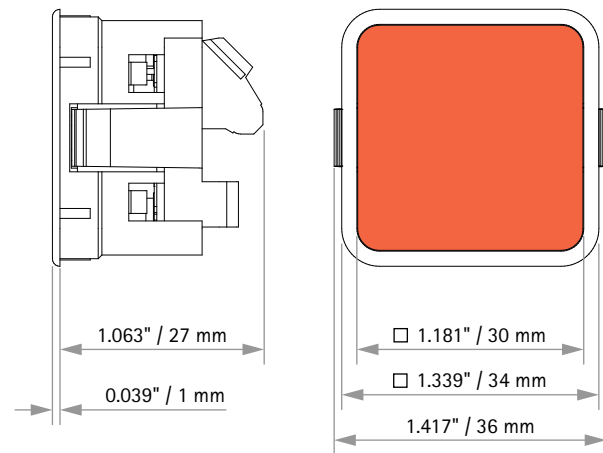
Front view | Vue frontale | Vista frontal



MA 42 IX NA

Side view | Vue de côté | Vista lateral

Front view | Vue frontale | Vista frontal



MT 42 | MA 42

Cutout | Découpe | Corte

