

# SCHAEFER



## EB 42 | ED 42

Pushbuttons & Indicators | Boutons & Voyants | Pulsadores & Indicadores

- Studless fixing (snap ring)
- Elegant elliptical design
- Multi-Volt LEDs
- Bicolor (standard) / Color on-site changeable
- 2 contacts (standard)
- Faceplate thickness: 0.059 - 0.354" / 1.5 - 9 mm
- Surrounding air temperature: 0 - 55°C / 32 - 131°F



SCHAEFER Elevator Components Inc.

#110 - 19347 24 Ave | Surrey, BC, V3Z 3S9 | Canada

na.info@ws-schaefer.com | na.ws-schaefer.com



Type		Style	Form	Suffix / Connection					Terminal blocks		
				Suffix	Switch	Voltage	Current	AWG	Wire type	Torque [Lb. In.]	
EB	Elliptical Pushbutton	42	n/a	XI NA	SPST-NO SPDT	6 - 30 V DC 120 V DC 120 V AC	2 A 0.05 A 0.7 A	30 - 14	Cu	2.2	
ED	Elliptical Indicator										

EB 42 XI NA  
39 - 03 - 00 - 70 12 - 120 V

Housing		Touchplate / Plate		Protection		LED Color		LED Voltage / LED Current / Power	
37	#8 Stainless steel, mirrored	00	without	00	Type 1 (UL 50)	RGB		XI NA	
38	#8 Stainless steel, TiN (brass color), mirrored	01	Stainless steel, non-directional			70	RGB adjustable	6 V DC	30 mA
39	#8 Stainless steel, black color, mirrored	02	Stainless steel, TiN (brass color), non-directional					12 - 120 V DC 30 - 120 V AC	0.2 - 0.4 W
		03	#8 Stainless steel, black color, mirrored						
		04	#8 Stainless steel, mirrored						
		05	#8 Stainless steel, TiN (brass color), mirrored						
		20	Plastic, clear						



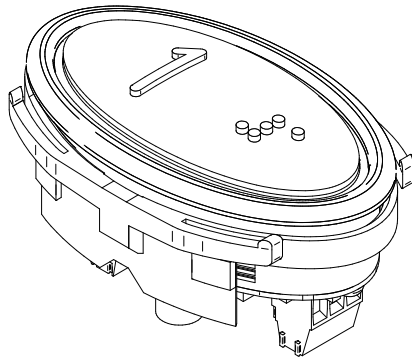
Bicolor combination selection table for EB 42 2M XI NA

Color selector		Selector-Switch: "recall"										
		0	1	2	3	4	5	6	7	8	9	
		n/a	red	blue	pink (rich)	green	yellow	aqua	n/a	white	pink (light)	
Selector-Switch: "perm"	0	not available	x	x	x	x	x	x	x	x	x	
	1	red	x	x	✓	x	✓	x	✓	x	✓	
	2	blue	x	✓	x	x	✓	✓	x	✓	✓	
	3	pink (rich)	x	x	x	x	✓	x	x	✓	x	
	4	green	x	✓	✓	✓	x	x	x	✓	✓	
	5	yellow	x	x	✓	x	x	x	x	✓	x	
	6	aqua	x	✓	x	x	x	x	x	✓	✓	
	7	not available	x	x	x	x	x	x	x	x	x	
	8	white	x	✓	✓	✓	✓	✓	✓	x	x	
	9	pink (light)	x	x	✓	x	✓	x	✓	x	x	

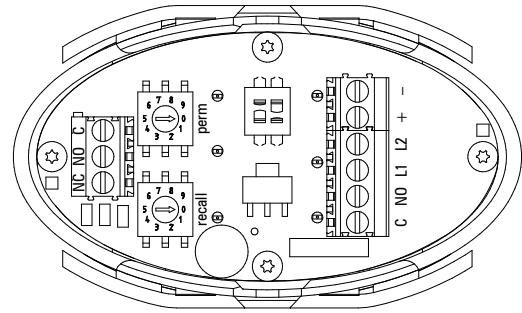
Key: ✓ selection    x forbidden    Forbidden selections may result in undefined colors or no color.

EB 42 XI NA

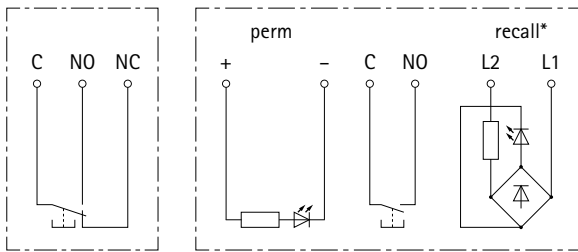
3D View | Vue 3D | Vista 3D



Rear view | Vue de derrière | Vista posterior



Wiring diagram | Schéma de connexion | Esquema de conexión

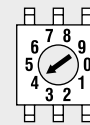


\* Recall only in combination with + and -

Color selector | Sélecteur de couleurs | Elector de colores



**LED perm**  
Permanent illumination  
Éclairage permanent  
Iluminación permanente

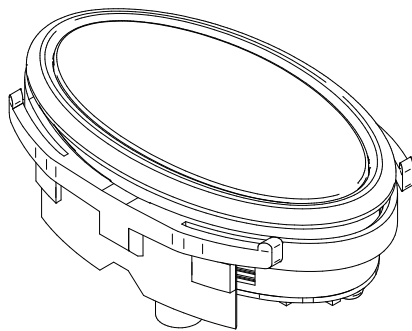


**LED recall**  
Recall light  
Registre lumineux  
Registro luminoso

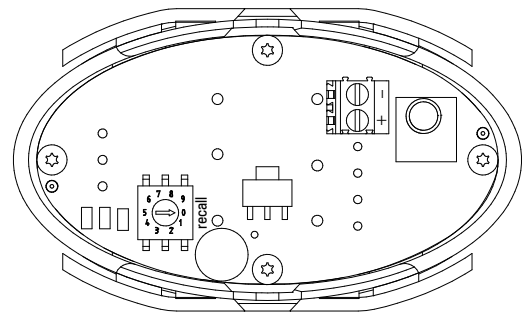
⊠ 0	not available	5	yellow
1	red	6	aqua
2	blue	⊠ 7	not available
3	pink (rich)	8	white
4	green	9	pink (light)

ED 42 XI NA

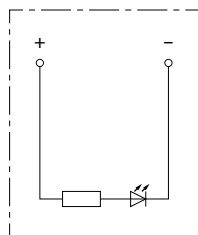
3D View | Vue 3D | Vista 3D



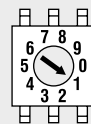
Rear view | Vue de derrière | Vista posterior



Wiring diagram | Schéma de connexion | Esquema de conexión



Color selector | Sélecteur de couleurs | Elector de colores



**LED recall**  
Recall light  
Registre lumineux  
Registro luminoso

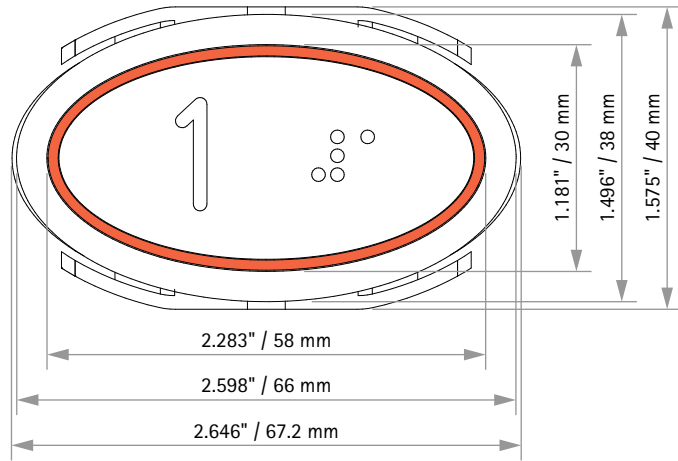
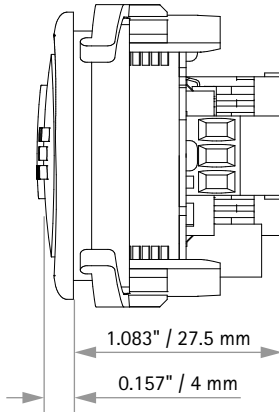
⊠ 0	not available	5	yellow
1	red	6	aqua
2	blue	⊠ 7	not available
3	pink (rich)	8	white
4	green	9	pink (light)

# Dimensions | Dimensions | Dimensiones

## EB 42 XI NA

Side view | Vue de côté | Vista lateral

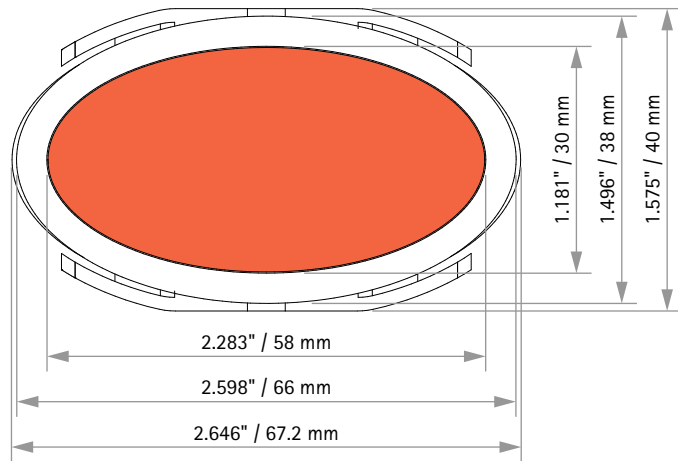
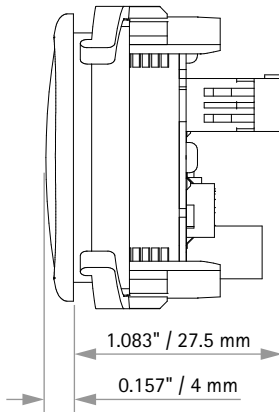
Front view | Vue frontal | Vista frontal



## ED 42 XI NA

Side view | Vue de côté | Vista lateral

Front view | Vue frontal | Vista frontal



## EB 42 | ED 42

Cutout | Découpe | Corte

