

# SCHAEFER



## RT42 | RA42

Pushbuttons & Indicators | Boutons & Voyants | Pulsadores & Indicadores

- Studless fixing (locking ring)
- Multi-Volt LEDs
- Bicolor available
- 2 contacts available
- Faceplate thickness: 0.059 - 0.315"/1.5 - 8 mm
- Surrounding air temperature: 0 - 55°C/32 - 131°F



SCHAEFER Elevator Components Inc.  
#110 - 19347 24 Ave | Surrey, BC, V3Z 3S9 | Canada  
na.info@ws-schaefer.com | na.ws-schaefer.com



Type			Style	Form	Suffix/ Connection						
Type			Style	Form	Suffix	Switch	Voltage	Current	Terminal blocks		
									AWG	Wire type	Torque [Lb. In.]
RT	Round Pushbutton		42	n/a	IX NA	SPST-NO	6 - 30 V DC 120 V DC 120 V AC	2 A 0.05 A 0.7 A	30 - 14	Cu	2.2
RA	Round Indicator										
					IX bicolor	SPST-NO	0.02 - 30V AC 0.02 - 30V DC	0.05 A	22 - 18	Cu	3
						SPDT	30 V DC 50 V AC	0.5 A 1 A	22 - 18	Cu	3

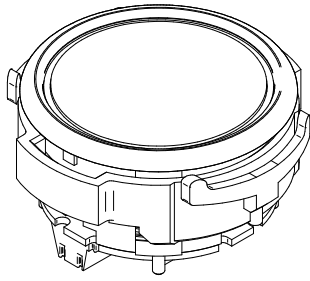
RT 42 IX NA  
21 - 05 - 00 - 10 12 - 120 V

Housing		Touchplate/Plate		Protection		LED Color		LED Voltage/LED Current/Power	
20	#8 Stainless steel, mirrored	00	without	00	Type 1 (UL 50)	unicolor		IX NA	
21	#8 Stainless steel, TiN (brass color), mirrored	01	Stainless steel, non-directional			10	red	6 V DC	40 mA
22	#8 Stainless steel, black color, mirrored	02	Stainless steel, TiN (brass color), non-directional			20	blue	12 - 120 V DC 30 - 120 V AC	0.4 - 0.8 W
23	#8 Stainless steel, bronze color, mirrored	03	#8 Stainless steel, black color, mirrored			30	green	IX bicolor	
		04	#8 Stainless steel, mirrored			40	white	12 - 30 V DC	45 mA
		05	#8 Stainless steel, TiN (brass color), mirrored			50	yellow	30 - 48 V DC	45 mA
		08	Aluminum, black color			bicolor		2M XI	
		20	Plastic, clear			13	red/green	6 V AC/DC	40 mA
		40	#4 Stainless steel			31	green/red	12 V AC/DC	40 mA
						23	blue/green	30 V AC/DC	40 mA
						25	blue/yellow		
						42	white/blue		

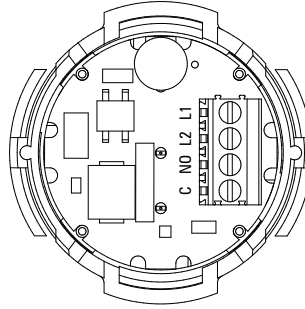


RT 42 IX NA

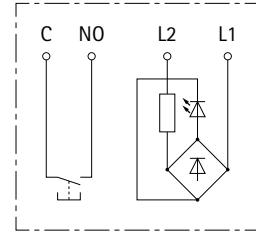
3D View | Vue 3D | Vista 3D



Rear view | Vue de derrière | Vista posterior

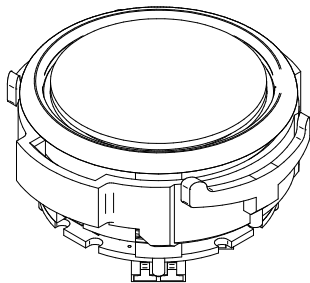


Wiring diagram | Schéma de connexion | Esquema de conexión

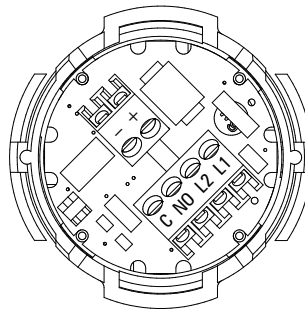


RT 42 IX bicolor

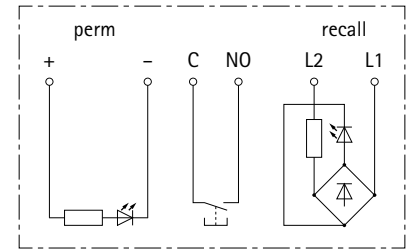
3D View | Vue 3D | Vista 3D



Rear view | Vue de derrière | Vista posterior



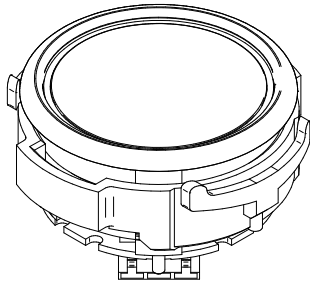
Wiring diagram | Schéma de connexion | Esquema de conexión



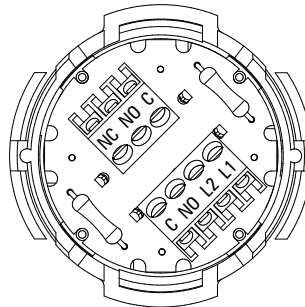
\* Recall only in combination with + and -

RT 42 2M XI

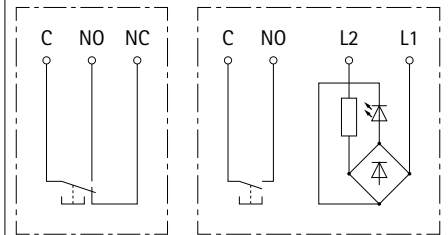
3D View | Vue 3D | Vista 3D



Rear view | Vue de derrière | Vista posterior

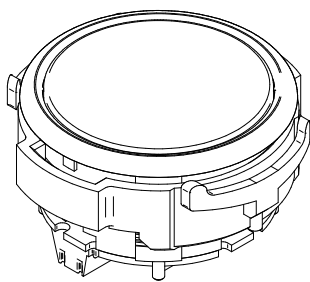


Wiring diagram | Schéma de connexion | Esquema de conexión

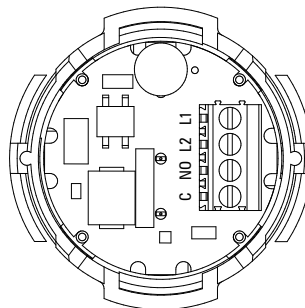


RA 42 IX NA

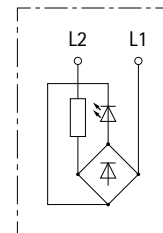
3D View | Vue 3D | Vista 3D



Rear view | Vue de derrière | Vista posterior



Wiring diagram | Schéma de connexion | Esquema de conexión

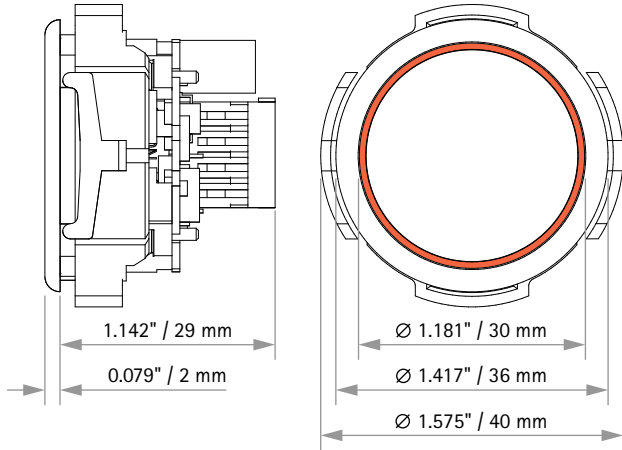


# Dimensions | Dimensions | Dimensiones

## RT 42 IX NA

Side view | Vue de côté | Vista lateral

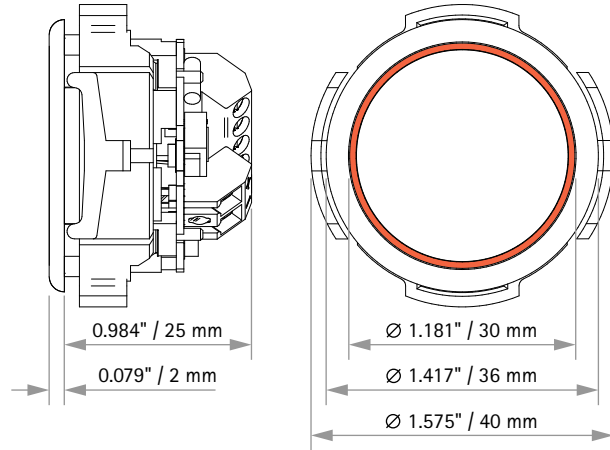
Front view | Vue frontal | Vista frontal



## RT 42 IX bicolor

Side view | Vue de côté | Vista lateral

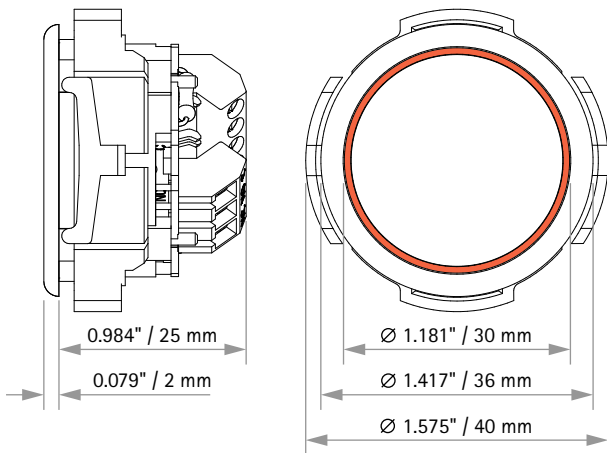
Front view | Vue frontal | Vista frontal



## RT 42 2M XI

Side view | Vue de côté | Vista lateral

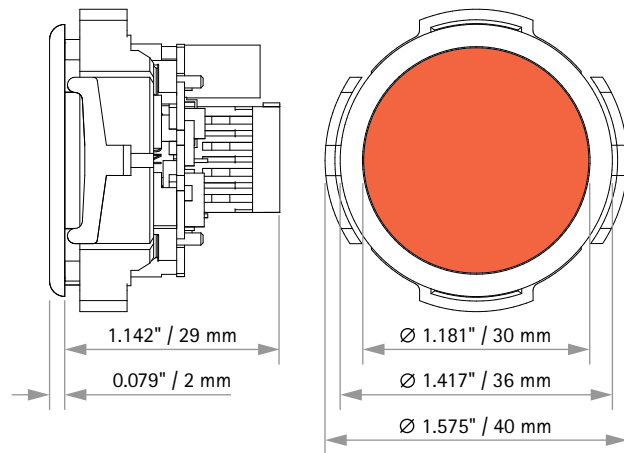
Front view | Vue frontal | Vista frontal



## RA 42 IX NA

Side view | Vue de côté | Vista lateral

Front view | Vue frontal | Vista frontal



## RT 42 | RA 42

Cutout | Découpe | Corte

