

Hall Lanterns Surface mounting

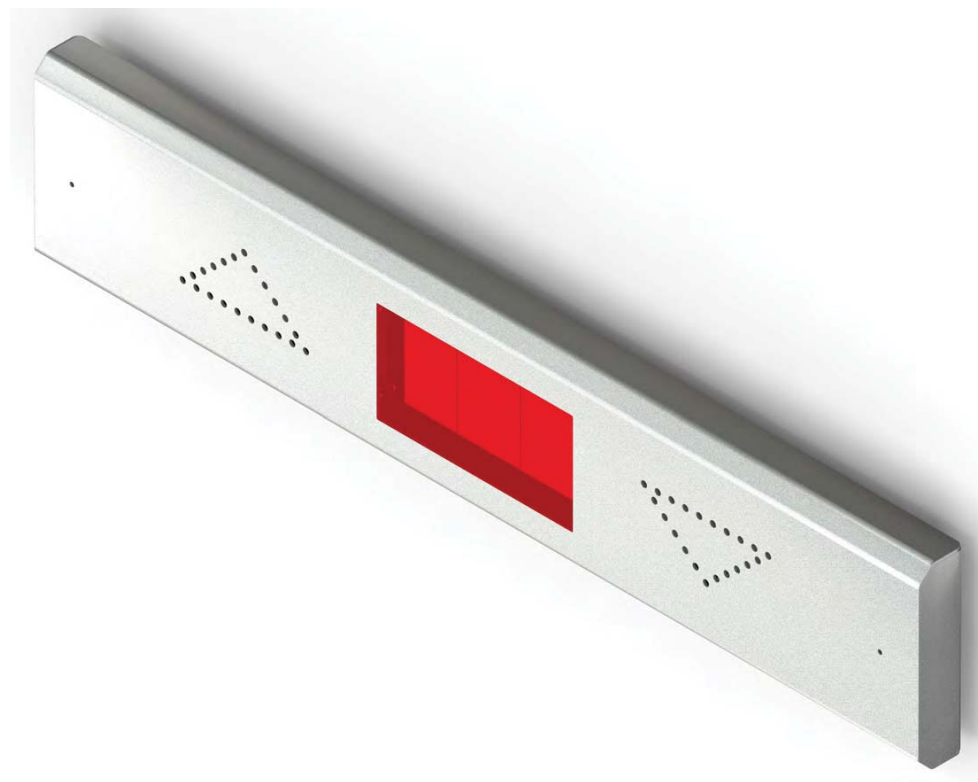
Standard Dimension

Width : 130 mm

Depth : 33 mm

Length : 352, 478, 644, 700

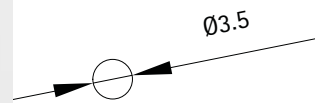
other dimensions we manufacture according to
your requirements



Fastening

COP

Hidden Screw

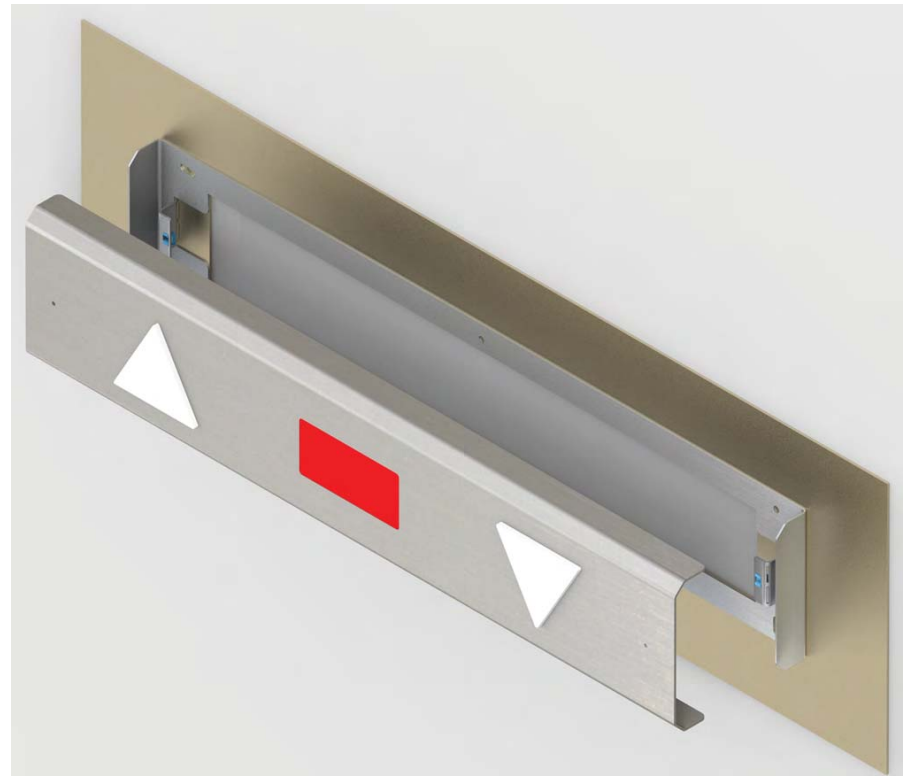
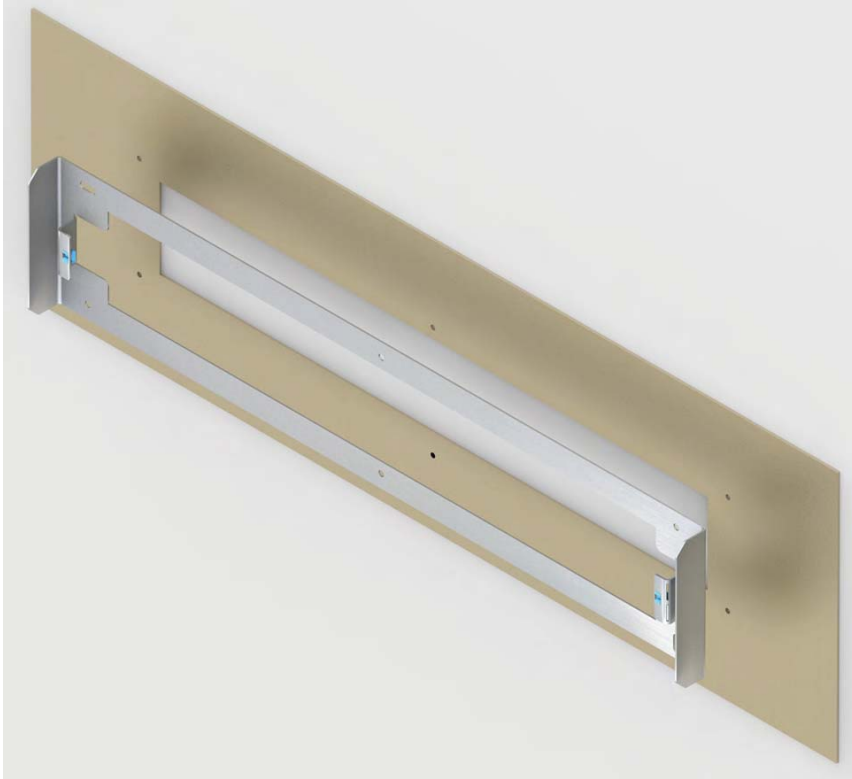


Mounting

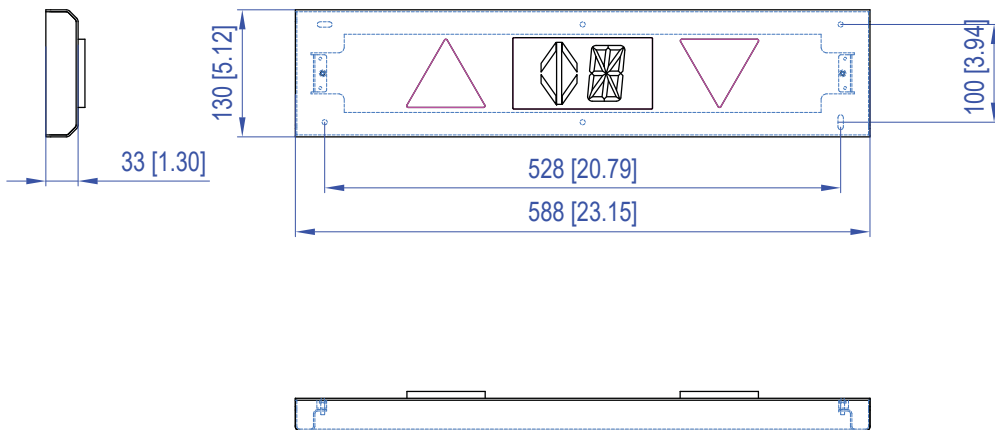
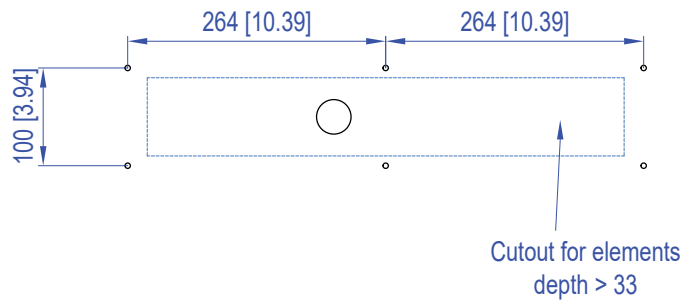
Hall Lanterns Surface Mounting

1 Step : take the Backbox and make the cutout and the holes on your wall

2. Step mounting the backbox with the Faceplate



Cutout- Wall



other Dimension: have a look in the sheets from Hallstation Surface Mounting